

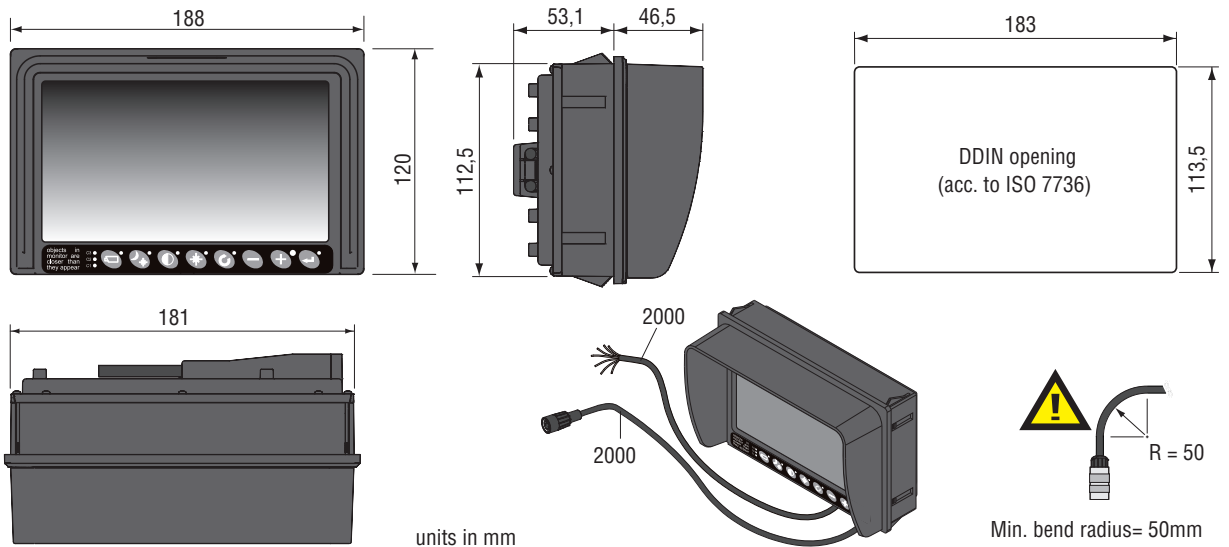
Vision is  
our mission®

Monitor 7" LEDD 2  
Article no. 0208203  
2015 • DS0208203 EN R2-0

# Product Data



## Dimensions



## TECHNICAL DATA

### Monitor 7" LEDD 2

|                                  |  |
|----------------------------------|--|
|                                  | <b>Description</b>   |
| <b>Article number</b>            | <b>0208203</b>   |
| <b>Cables / Connectors</b>       | 2m multicable (power) open wired, 2m multicable (video) with 4p molded female connector<br>Art. No.: 8975171   |
| <b>Weight</b>                    | 1,1kg (monitor, cables and connector)  |
| <b>Type</b>                      | Automotive 7inch TFT liquid crystal display module LED backlight.  |
| <b>Resolution</b>                | WVGA 800xRGBx480 pixels.   |
| <b>Viewing</b>                   | 70° horizontal and 60° vertical (@ CR≥10).   |
| <b>LED Life Time</b>             | 30000 Hrs.   |
| <b>Typical performance</b>       | Center luminance of white: 600cd/m <sup>2</sup> , Contrast ratio 650:1, Response time 5 ms (Tr).   |
| <b>Softwaremenu</b>              | Full On-Screen-Display (OSD) functionality in 15 languages: English, Dutch, German, French, Czech, Hungarian, Italian, Polish, Portuguese, Spanish, Turkish, Swedish, Finnish, Danish, Norwegian.  |
| <b>ABC mode</b>                  | Improved Auto Brightness Control (ABC) including one-touch day/night setting and adjustable minimum and maximum levels for automatic control.  |
| <b>Operating temperature</b>     | -40°C ..+85°C.   |
| <b>Storage temperature</b>       | -40°C ..+125°C.  |
|                                  | <b>Electrical</b>  |
| <b>Input voltage range</b>       | 12...60V +/-10%.   |
| <b>Power consumption</b>         | Max 12W (only for the monitor, total power consumption depending on cameras and other peripherals)   |
| <b>Protection</b>                | >70V overvoltageprotection, <10V undervoltageprotection, protected against loadumps, spikes and surges, reverse polarity on all wiring.  |
| <b>Power-output</b>              | Nominal 2A +/-10% for powering cameras and other peripherals.  |
| <b>Video input</b>               | 1Vtt, 75Ω, Pal 50 Hz, 4,43MHz color sub carr. NTSC 60 Hz, 3,58MHz color sub carr.  |
|                                  | <b>Mechanical</b>  |
| <b>Surface</b>                   | Hard coating (3H), with AG LR (Low Reflection) polarizer.  |
| <b>Housing</b>                   | Color Black, material: aluminium & high impact automotive synthetic thermoplastic polymer.   |
| <b>Shock constancy</b>           | Shock and vibration resistant for usage on trucks, cranes, fork-lifts, maritime applications, machinery. Random vibration test 15,3Grms at frequency: 24 to 2000, PSD (g <sup>2</sup> /Hz) 0,04 to 0,10.   |
| <b>Ingress protection</b>        | LEDD: IP54 according IEC60529 (Dust protected, protected against splashing water, 10L /min for 5 min)  |
| <b>Truck use</b>                 | Withstand all fluids and materials used in and around trucks like: ammonia solution 5%, ethanol 80-100%, isopropanol 5-10%, soapy water (min. 50% soap per volume), alkaline degreasing compounds(used in high pressure washing equipment).  |
|                                  | <b>Certification</b>   |
| <b>Quality &amp; environment</b> | Units are manufactured by Orlaco in the Netherlands; ISO 9001, ISO14001, ISO-TS14949.  |
| <b>Approvals</b>                 | Approvals In compliance with all relevant EMC- and Automotive directives. Certificates available upon request.<br>This device complies with Part 15 of the FCC Rules. Operation is subject to the following conditions:<br>(1) this device may not cause harmful interference, and (2) this device must accept any interference received, including interference that may cause undesired operation. |
| <b>Green Passport</b>            | All materials are compliant to Green Passport requirements according IMO resolution MEPC.197(62) as adopted on 15 July 2011 (Maritime sector: International Maritime Organization concerning the functions of the Marine Environment Protection Committee).  |

Each product is delivered with a User manual, Installation manual and Declaration Of Conformity (DOC).

All data subject to change without notice. All dimensions are for commercial purpose only.

The camera/display systems from Orlaco comply with the latest CE, ADR, EMC and mirror-directive regulations, where applicable.

All products are manufactured in accordance with the ISO 9001 quality management system, ISO/TS 16949 quality automotive, ISO 14001 environmental management systems and all Ex products with the IECEx scheme and ATEX directives, where applicable.

